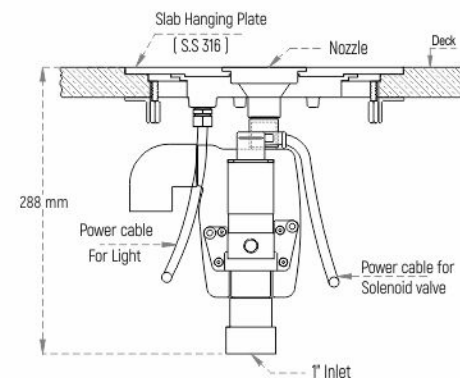
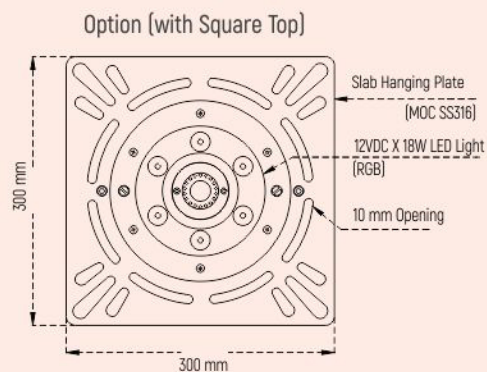
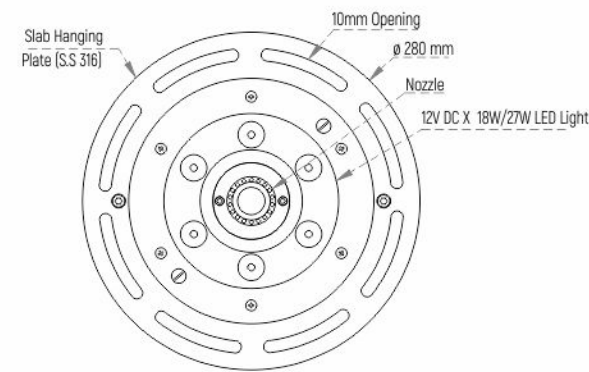


SHW SERIES SLAB HANGING PROGRAMMABLE WATERSWITCH



SHW018



SPECIFICATION DATA

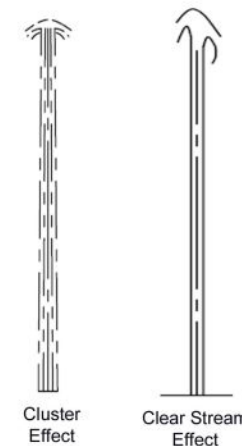
Model	Inlet Connection	Decorative Grill Dia in mm	Grill thickness In mm	Opening Drain in mm	MOC
SHW018	1"	280	6	10	Stainless Steel 316

SOLENOID VALVE

Voltage	24V AC
Wattage	5W
Inrush Current	20 VA
Holding current	11 VA

LED LIGHTING

Light Type	Circular Type
Voltage	12V DC
Wattage	18W/27W
Colour	RGB
Cable	H07RN-F 4 Core Rubber Cable 0.75mm ² 4 nos - R/G/B/V+
Certification	IP68



HYDRAULIC DATA

CLUSTER EFFECT	Spray height in Meter				
	1	1.5	2	3	4
LPM	42	50	58	68	78
Head in Meter	5.50	8.00	10.00	14.00	20
Spread in MM	520	800	900	1200	1600

CLEAR STREAM EFFECT	Spray height in Meter				
	1	1.5	2	3	4
LPM	30	35	40	50	60
Head in Meter	3.50	5.50	7.00	10.00	13.00
Spread in MM	460	610	650	650	950